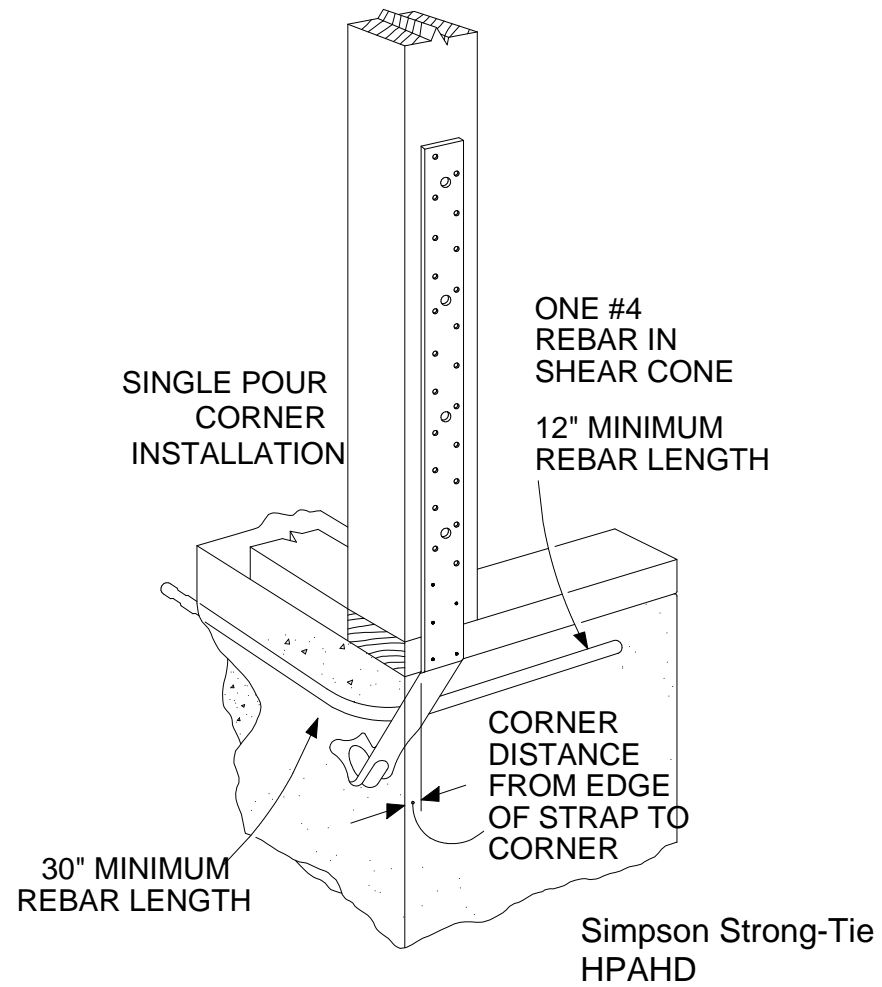
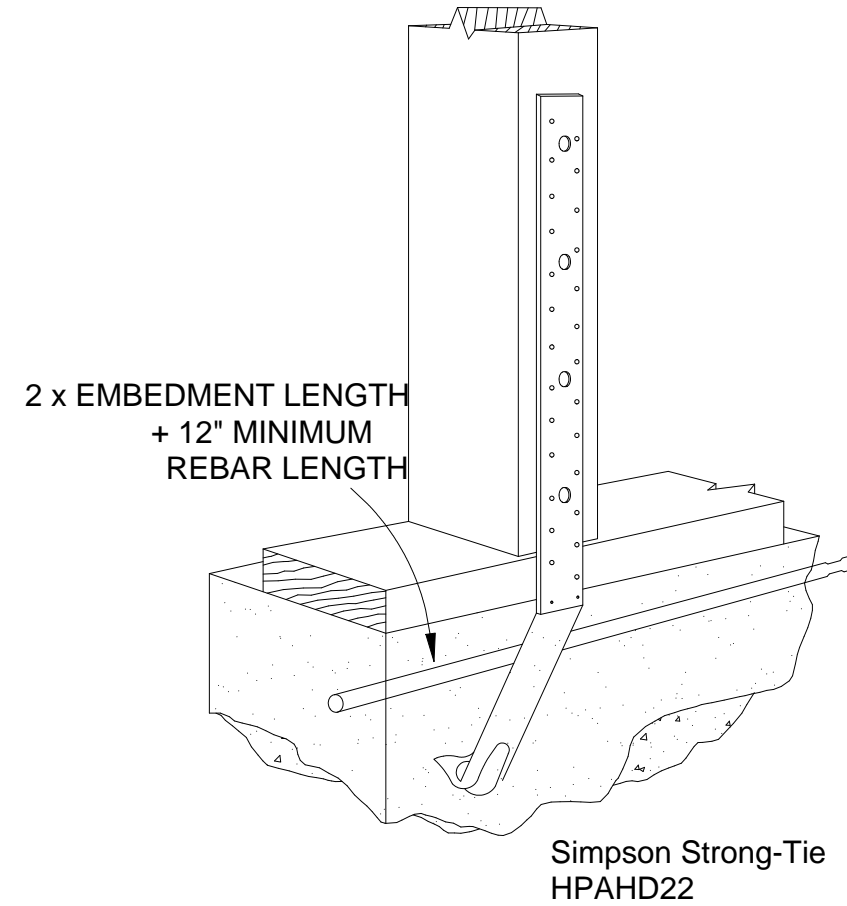


Simpson Strong-Tie
BP with SSTB



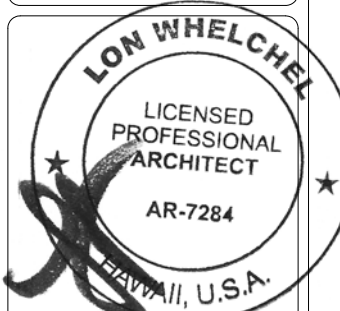
Simpson Strong-Tie
HPAHD



Simpson Strong-Tie
HPAHD22

Hawaii Home Design dba
G & D International LLC
Project Management &
Development

363 Kai Malu Pl.
Kihei, HI 96753
Phone (808) 875-4419
FAX (808) 442-0972



THIS WORK WAS PREPARED
BY ME OR UNDER MY
SUPERVISION. CONSTRUCTION
OF THIS PROJECT WILL BE
UNDER MY OBSERVATION.

A NEW SECONDARY FARM DWELLING FOR
DIETMAR RITTNER - GOVINDA LEOPOLD
11 PUA NIU WAY, LOT 23
MAHANALUANUI PH IV, LAHAINA

T.M.K.: 4 - 7 - 9:69

DRAWN BY: DR Rittner
DATE: 12/22/08
SCALE:
FILE No. 3100
FILE NAME: HHD Launipoko

REVISIONS	SHEET
	18
	OF:

Simpson Strong-Tie