



THIS WORK WAS PREPARED
BY ME OR UNDER MY
SUPERVISION. CONSTRUCTION
OF THIS PROJECT WILL BE
UNDER MY OBSERVATION.

A NEW SECONDARY FARM DWELLING FOR
DIETMAR RITTNER - GOVINDA LEOPOLD
11 PUA NIU WAY, LOT 23
MAHANALUANUI PH IV, LAHAINA

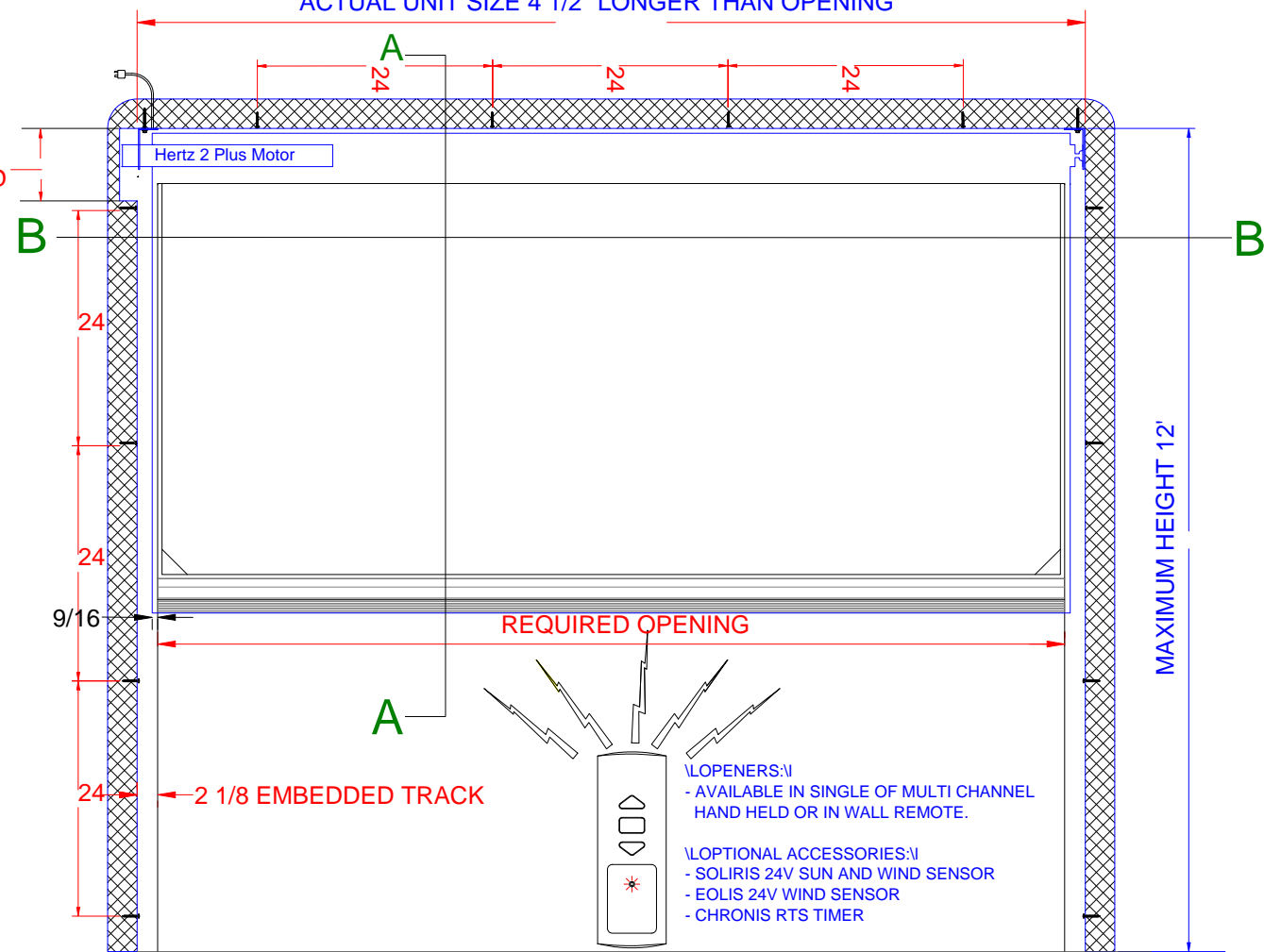
T.M.K.: 4 - 7 - 9:69

DRAWN BY: DR Rittner
DATE: 12/22/08
SCALE: NO SCALE
FILE No. 3100
FILE NAME: HHD Launipoko

REVISIONS	SHEET
	12D
	OF:

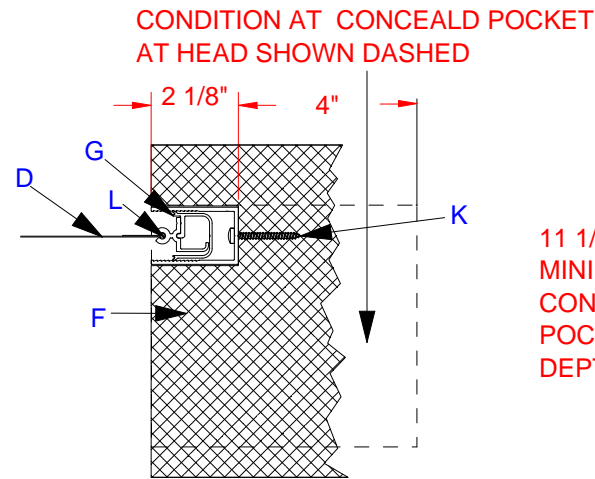
MIRAGE MOTORIZED SCREEN 5 1/2" HOOD RECESSED ROLLER AND TRACKS

MINIMUM POCKET LENGTH = (OPENING + (2 x IMBEDDED TRACK) + 1/2" CLEARANCE)
ACTUAL UNIT SIZE 4 1/2" LONGER THAN OPENING



MAXIMUM OF 2% SLOPE CAN BE ACCOMMODATE AT GROUND LEVEL

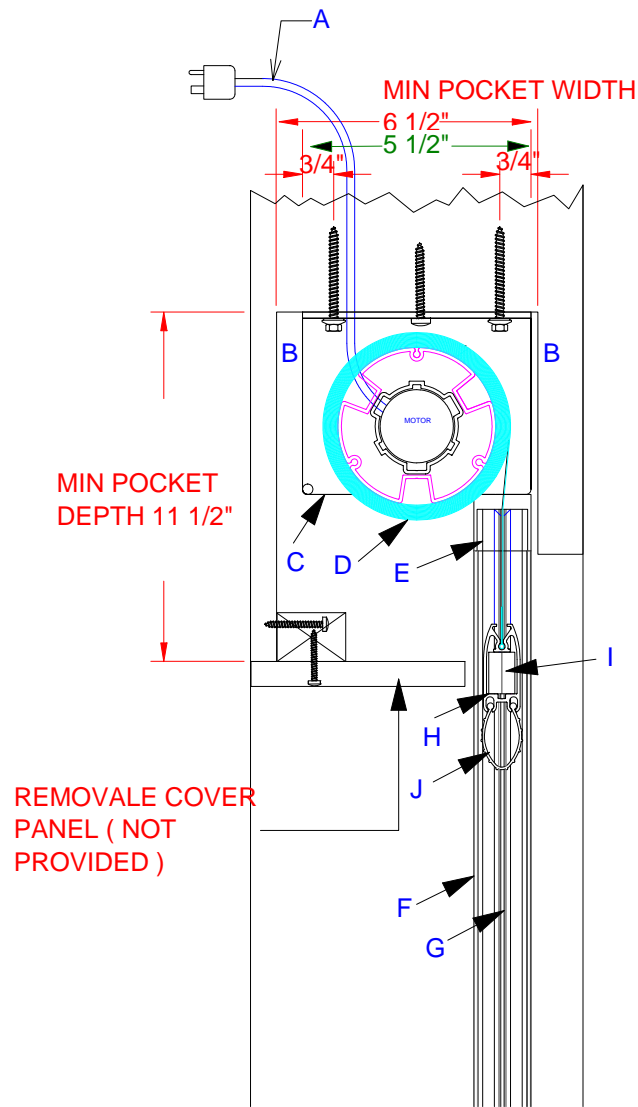
DETAIL BB



11 1/2" MINIMUM CONCEALD POCKET DEPTH

- A) 110 V. 6' LEAD C/W PLUG, MOTOR & PLUG CAN BE POSITIONED AT EITHER END OF SCREEN UNIT.
- B) (2) END BRACKET MOUNTING SCREWS (NOT PROVIDED 2" X #12 PAN OR HEX HEAD)
- C) END MOUNTING BRACKET
- D) SCREEN MESH
- E) CHAMFERED ENTRANCE TO SCREEN TRACK
- F) RECESSED TRACK HOUSING
- G) RECESSED TRACK ASSEMBLY (ADJUSTABLE WITHIN TRACK HOUSING)
- H) WEIGHT BAR
- I) PROBE
- J) BOTTOM SEAL
- K) SIDE TRACK MOUNTING SCREW (NOT PROVIDED) RECOMMEND 2" X #12 PAN HEAD
- L) SCREEN RETENTION ZIPPER

DETAIL AA



NOTE: BUILDING GENERAL CONTRACTOR IS RESPONSIBLE FOR PROVIDING ADEQUATE BACKING IN WALLS AND HEADERS TO AFFIX SCREEN UNITS TO THE BUILDING